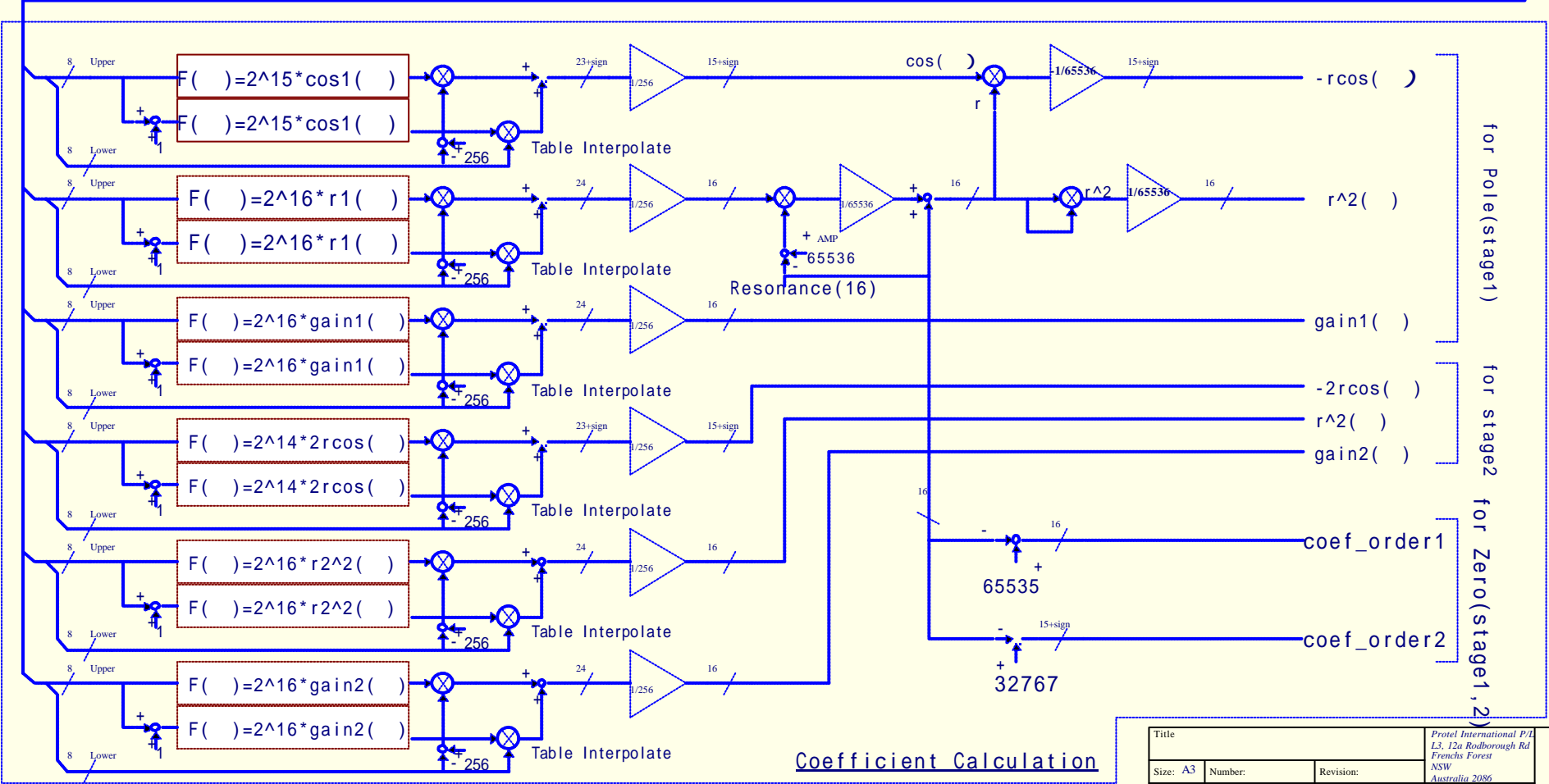


Frequency Calculation



Coefficient Calculation

Title		Protel International P/L L3, 12a Rodborough Rd Frenchs Forest NSW Australia 2086	
Size: A3	Number:	Revision:	Date: 26-Oct-2004 Time: 22:57:14 Sheet: 0 of 0